

# RM-80

## Wireless Ethernet Access point and Client



- ⌘ Industrial Strength 869 MHz
- ⌘ Temperature range -40°C to 60°C
- ⌘ Access Point, Client/Station and Repeater
- ⌘ 10/100 BaseT RJ45, IEEE 802.3 compliant.
- ⌘ Bridge/router functions for Ethernet protocols
- ⌘ RS-232 V.24 DCE 1.2 to 115.2 kbit/s
- ⌘ RS-485 1.2 to 115.2 kbit/s
- ⌘ On-board I/O for link status or external status transfer.
- ⌘ 128-bit AES encryption
- ⌘ Firewall protection using MAC Address filtering
- ⌘ Redundancy using automatic changeover at Access Point
- ⌘ Configuration via web-browser
- ⌘ Remote configuration via the wireless link.
- ⌘ Password protected configuration

### Field of application

The RM-80 provides reliable and secure high-speed wireless Ethernet connectivity across a broad range of applications in process and automation plants. It is very well suited for connection to PLC's, HMI, DCS, data acquisition, video devices and industrial PC's.

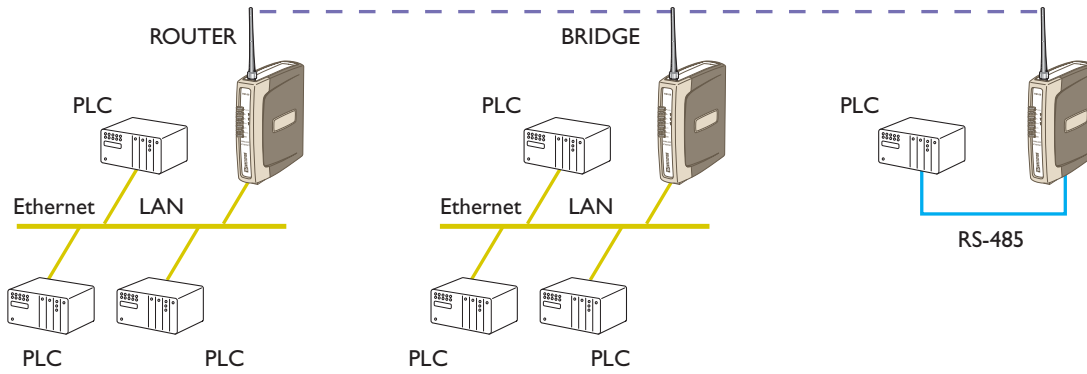
The RM-80 has an Ethernet port (10/100 BaseT) as well as two serial ports (RS-232 and RS-485) and on-board I/O for local and remote link status, or external status transfer. The data rate can be set between 7.2 kbit/s and 76.8 kbit/s or auto rate selection.

The RM-80 has been designed and built for demanding industrial applications.

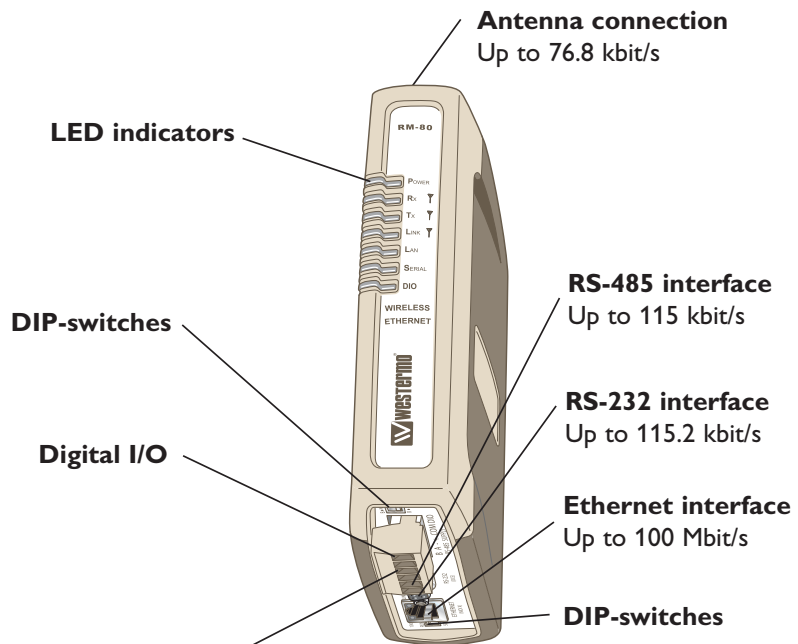
A High RF output and superior receiver sensitivity gives excellent penetration in congested industrial environments, through buildings, factory walls and steelwork.

The RM-80 is equipped with an SMA coaxial antenna connector and can be used with a wide variety of different antennas. The receiver sensitivity will allow a line-of-sight range of 5 km. The Repeater functionality can increase the wireless range even further.

## Application



## Interfaces



## Power

<b>RM-80</b>	
Power Supply	10 – 30 VDC
Current average	280 mA @ 12 VDC
Frequency	DC
Connection	Detachable 6-pos. screw terminal